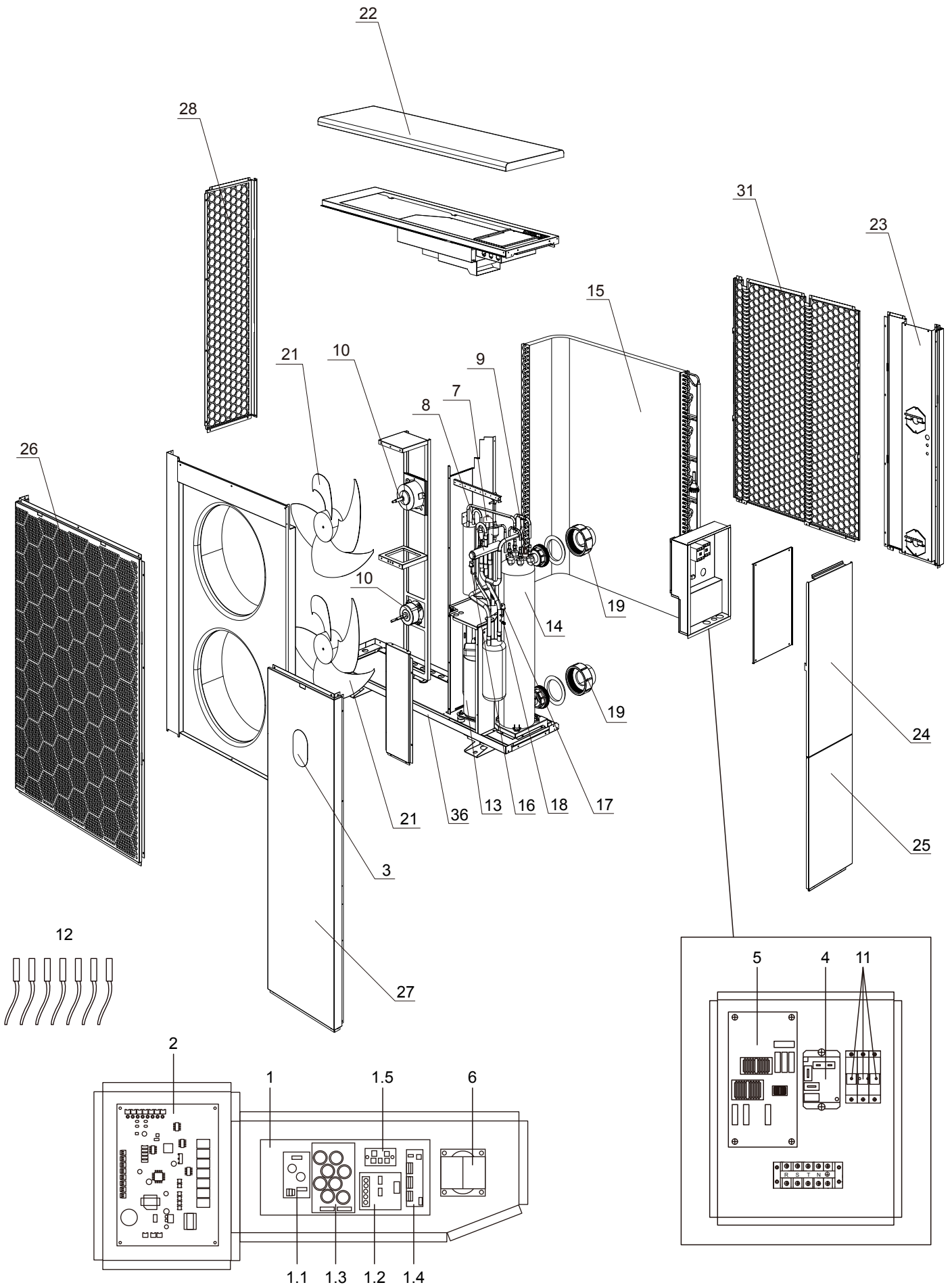


# JBCR150T



# JBCR150T

Position	Spare parts	Code
1	Inverter board	2005030100038
1.1	Single phase rectifier board	2005030100108
1.2	Compressor board	2005030100041
1.3	Capacitor plate	2005030100042
1.4	Current detector	2005030100107
1.5	Three phase rectifier bridge	2005030100045
2	PC board (Heat&Cool)	2005130100132A40
3	Oval touch controller	2005020900010
4	Contactora (3 phase relay)	2005110100002
5	Power filter plate	2005040100013
6	Reactor(big)	1205040400014
7	Electronic expansion valve	2002010200006
8	4-way valve	2002010100012
9	Water flow switch	1204020500006
10	Fan motor	1201020100066
11	Fuse	1205080200006
12	Full set of sensors	2002030200021
13	Compressor	1201010300040
14	Titanium heat exchanger(Heat&Cool)	1202010300199
15	Evaporator	1202010200139
16	High pressure protection switch	040050650000
17	Low pressure protection switch	040050150000
18	Low Pressure valve	006080500000
19	Water union	003990150000
20	Reducer 110mm x 90mm	/
21	Fan	1220010200056
22	Top cover	1220020103886
23	Back panel	1220020302303
24	Right Up Panel	1220020302304
25	Right Down Panel	1220020302305
26	Left front panel	1220020302306
27	Right front panel	1220020302307
28	Left mesh board	1220020302308
29	Lower left front panel	/
30	Upper left front panel	/
31	Back mesh board	1220020302309
32	Rear pole	/
33	Upper back mesh board	/
34	Lower back mesh board	/
35	Rear crossbar	/
36	Bottom board	1220020103885